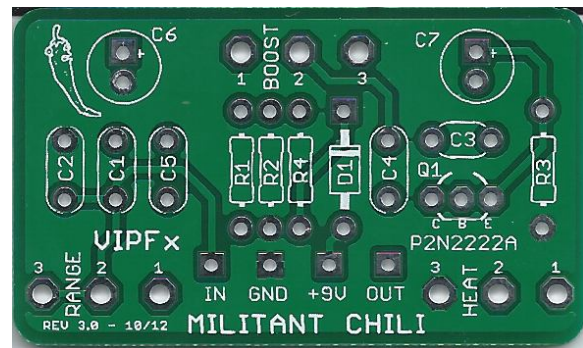
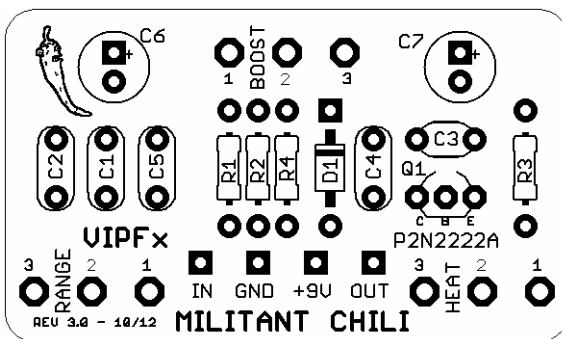


MILITANT CHILI TREBLE BOOSTER

The Chili (I regret the name choice now) is a treble booster pedal based on the Catlinbread Naga Viper and is based on the reverse engineered schematics posted at Freestompboxes.com. All credit for that work goes entirely to the outstanding DIY community at Freestompboxes.



Parts Guide

Resistors: 1/4 watt metal film

Film Caps: The board is laid out for Panasonic ECQ-V caps, but any standard 5mm caps will fit.

Eletrolytic Caps: 16v or better

pF Caps: Ceramic or other 5mm caps

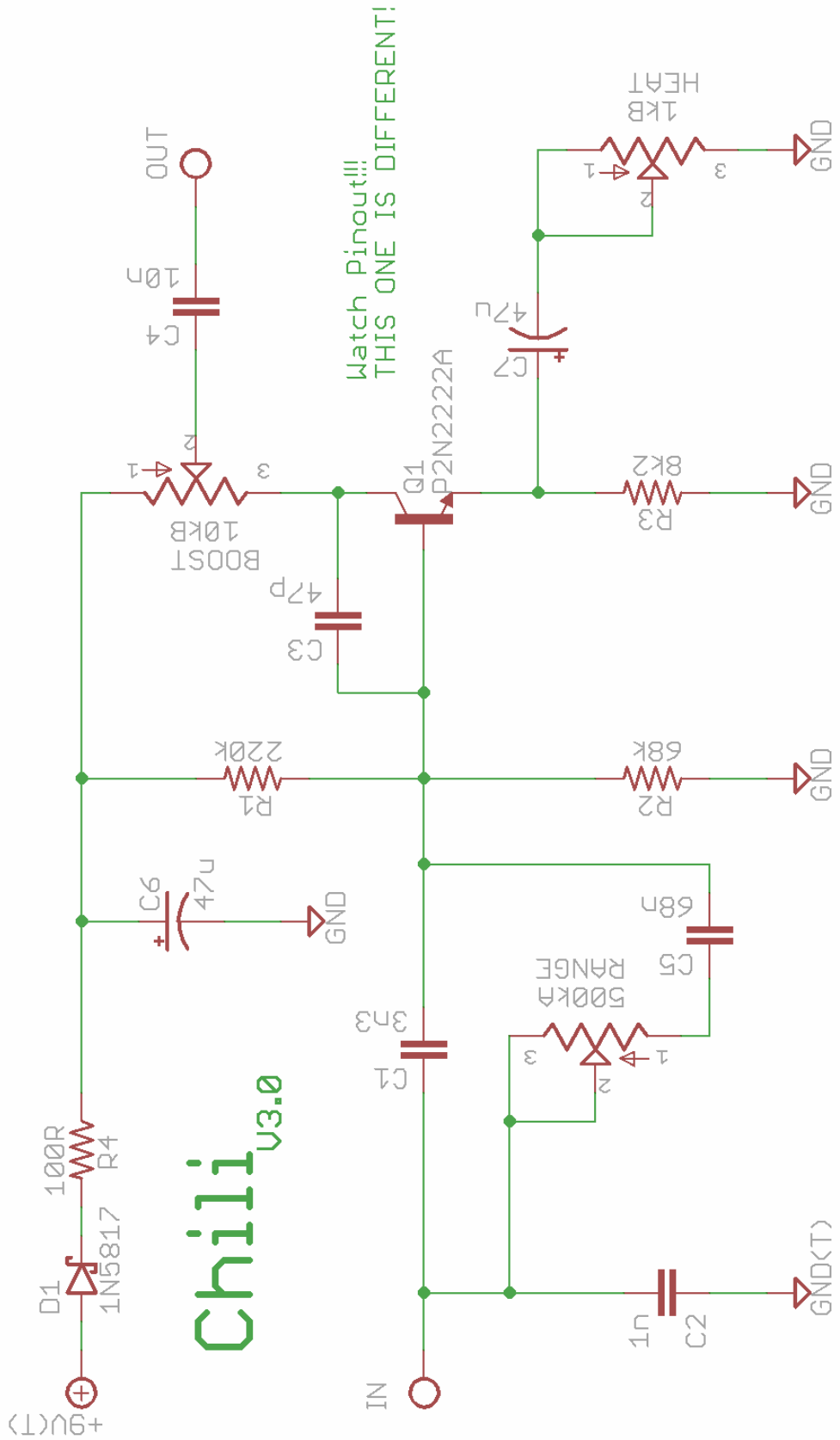
Pots: Layout is for Alpha PCB mount pots, RV16AF-41-15R1-Value, but any pots will work.

BOM

Resistors		Caps		Diodes	
R1	220k	C1	3n3	D1	1N5817
R2	68k	C2	1n		
R3	8k2	C3	47p	IC's	
R4	100R	C4	10n	Q1	P2N2222A
		C5	68n	Pots	
		C6	47u	BOOST	10kΩ
		C7	47u	RANGE	500kΩ
				HEAT	1kΩ

This product is intended for DIY use only. Commercial use, including the sale of PCBs, kits or pedals utilizing this information, is strictly prohibited.

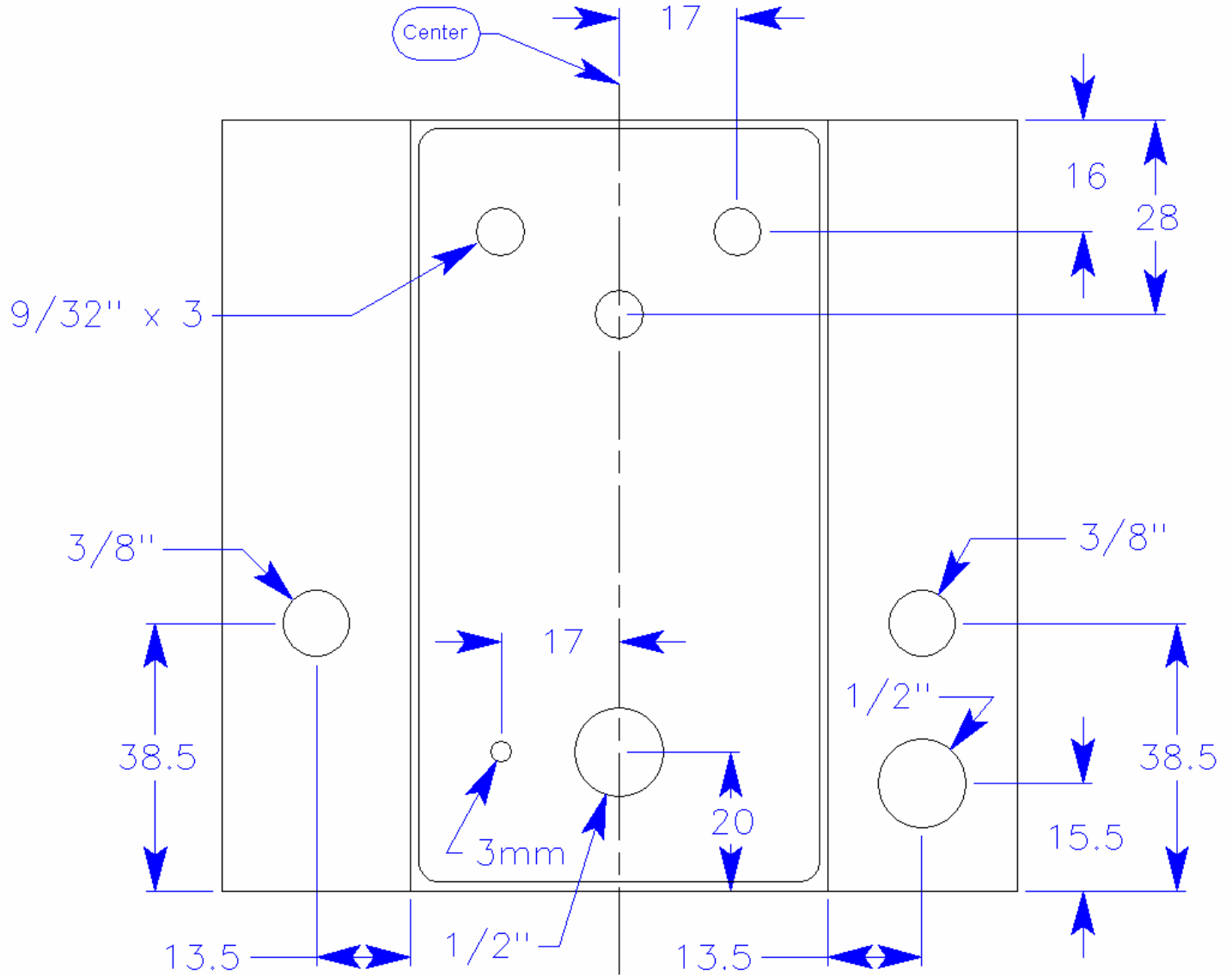
Schematic



This product is intended for DIY use only. Commercial use, including the sale of PCBs, kits or pedals utilizing this information, is strictly prohibited.

Drill Template

This is the drill template I used to order my box from Pedal Parts Plus. The box I specified was their 4 Site 1290 / 1590B, code 1023.



This product is intended for DIY use only. Commercial use, including the sale of PCBs, kits or pedals utilizing this information, is strictly prohibited.