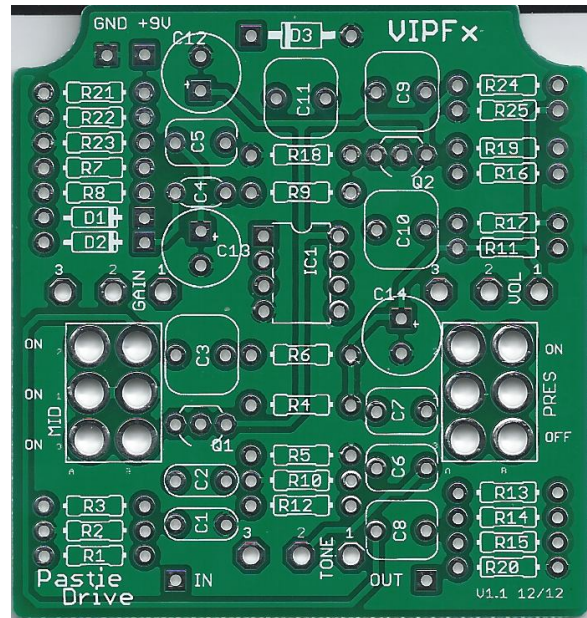
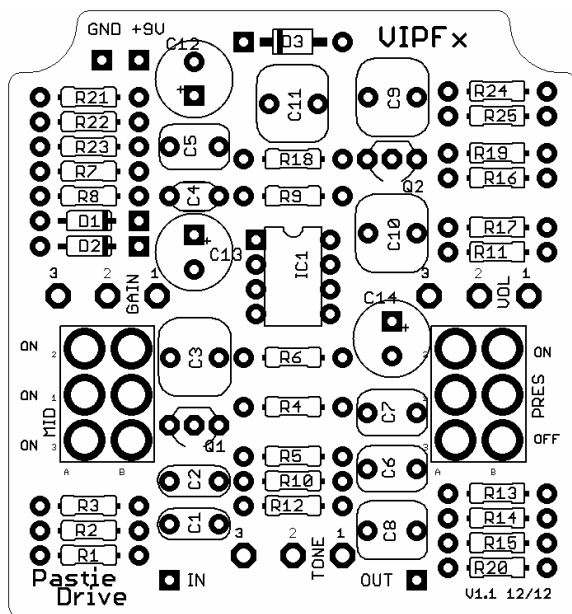


# PASTIE DRIVE

## OVERDRIVE

### REVISED BUILD DOC V2

The Pastie Drive is an overdrive pedal based on an overdrive that was reverse engineered and posted at [Freestompboxes.com](http://freestompboxes.com). All credit for that work goes entirely to the outstanding DIY community at [Freestompboxes.com](http://freestompboxes.com).



### Parts Guide

Resistors: 1/4 watt metal film

Film Caps: The board is laid out for Panasonic ECQ-V caps, but any standard 5mm caps will fit.

Electrolytic Caps: 16v or better

pF Caps: Ceramic or other 5mm caps.

Pots: Layout is for Alpha PCB mount pots, RV16AF-41-15R1-Value, but any pots will work.

This product is intended for DIY use only. Commercial use, including the sale of PCBs, kits or pedals utilizing this information, is strictly prohibited.

## BOM

Resistors		Caps		Diodes	
R1	100R	C1	100p	D1	1N4148
R2	1M	C2	22n	D2	1N4148
R3	1k	C3	1uF	D3	1N4001
R4	511k	C4	51p		
R5	10k	C5	220n	<b>Transistors</b>	
R6	10k	C6	220n	Q1-Q2	J201
R7	2k2	C7	220n		
R8	10k	C8	470n	<b>IC's</b>	
R9	1k	C9	1uF	IC1	JRC4580
R10	220R	C10	1uF		
R11	10k	C11	1uF	<b>Pots</b>	
R12	1k	C12	220uF	VOL	B100k
R13	300R	C13	220uF	GAIN	A500k
R14	200R	C14	220uF	TONE	C25k
R15	240R				
R16	1k			<b>Switches</b>	
R17	511k			MID	DP3T
R18	10k				On/On/On
R19	100R			PRES	DPDT
R20	10k				On/On
R21	10R				
R22	10k				
R23	10k				
R24	10k				
R25	10k				

This product is intended for DIY use only. Commercial use, including the sale of PCBs, kits or pedals utilizing this information, is strictly prohibited.

# Notes

## Switch

The MID switch for this project is a DPDT (On-On-On) type switch. The problem with this type of switch is that there are two different varieties that are both classified as On-On-On. They are not interchangeable and one specific variety must be used here.

The flavor I picked was the switch available at Smallbear in the following part number:

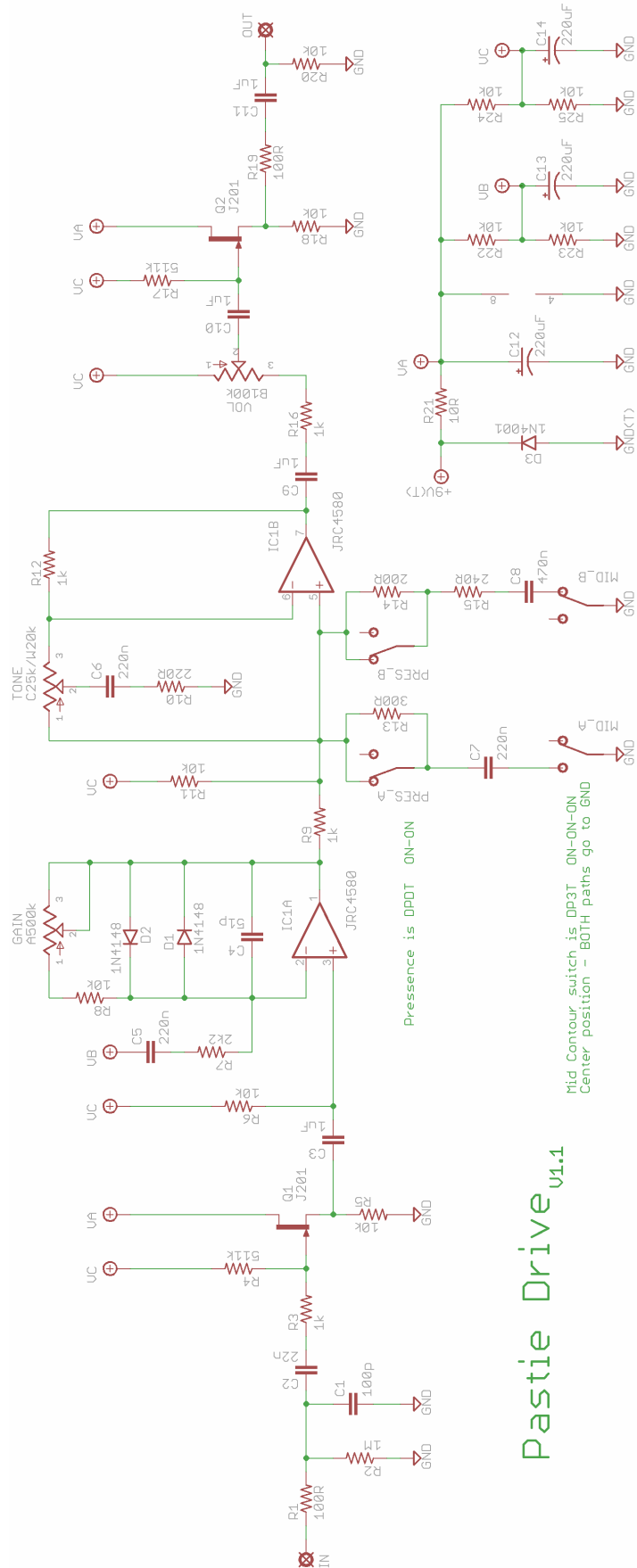
Switch - DPDT Toggle (On-On-On) Taiway 1MD6T1B1M1QE SB SKU: 0221C

The exact switch you use or where you get it doesn't matter, as long as it functions the same way and as shown in the image below.



This product is intended for DIY use only. Commercial use, including the sale of PCBs, kits or pedals utilizing this information, is strictly prohibited.

# Schematic

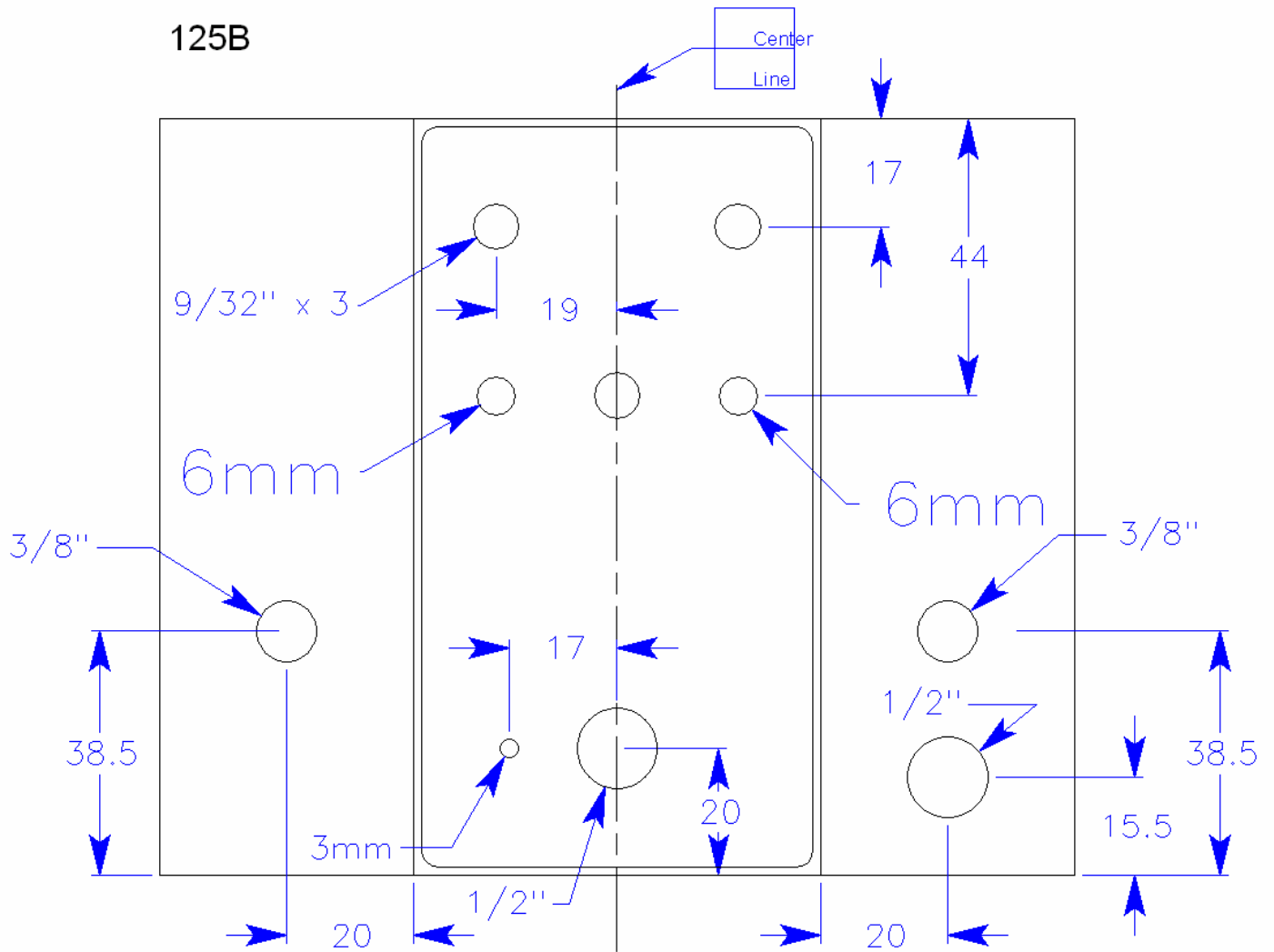


Pastie Drive v1.1

This product is intended for DIY use only. Commercial use, including the sale of PCBs, kits or pedals utilizing this information, is strictly prohibited.

## Drill Template

This is the drill template I used to order my box from Pedal Parts Plus. The box I specified was their standard 125B, code 1400.



This product is intended for DIY use only. Commercial use, including the sale of PCBs, kits or pedals utilizing this information, is strictly prohibited.