

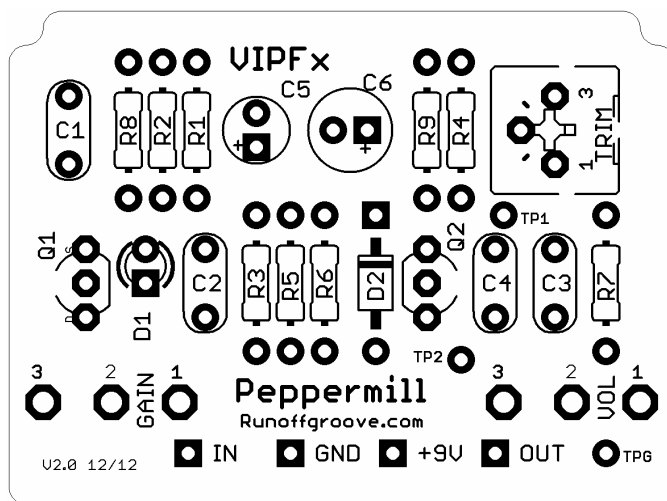
Peppermill

Overdrive

This is the Peppermill Overdrive taken directly from Runoffgroove.com.

<http://www.runoffgroove.com/peppermill.html>

This is a classic project that sounds great and has a lot of support available in the forums and in particular DIYStompboxes.com



Parts Guide

Resistors: 1/4 watt metal film

Film Caps: The board is laid out for Panasonic ECQ-V caps, but any standard 5mm caps will fit.

Eletrolytic Caps: 16v or better

pF Caps: Ceramic or other 5mm caps

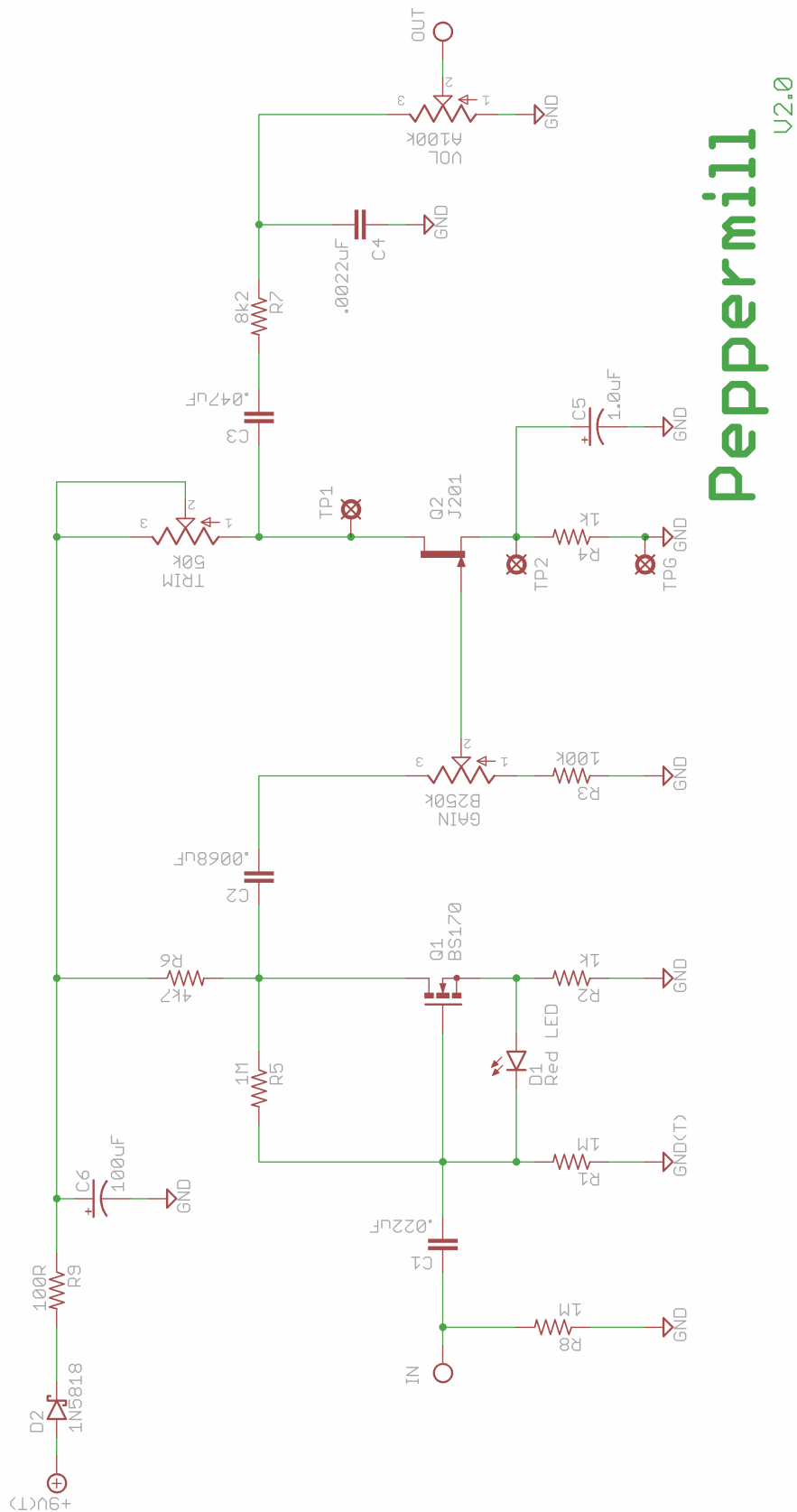
Pots: Layout is for Alpha PCB mount pots, RV16AF-41-15R1-Value, but any pots will work.

Notes

According to the notes from the guys at Runoffgroove, selecting the right J201 is pretty important to get the sound just right. To help select the right J201 there are 2 test points on the board. The pad marked TPG is a convenient ground reference point and will help hold the tip of your DVM rather than having it slip off of a wire or resistor lead. TP1 is the drain voltage and should be adjusted to read 4.5V using the trim pot. Once adjusted, check the source voltage at TP2. For optimal sound TP2 should read around 115mV according to Runoffgroove. If not, try some more JFET's until you are close. I didn't have any JFET that would read 115mV at TP2 and wound up with one that read 190mV. I thought it sounded really good. I wouldn't get hung up on the 115mV, but would rather just sort through what JFET's you have and select the one with the lowest value and see how its sounds.

This product is intended for DIY use only. Commercial use, including the sale of PCBs, kits or pedals utilizing this information, is strictly prohibited.

Schematic



Peppermill V2.0

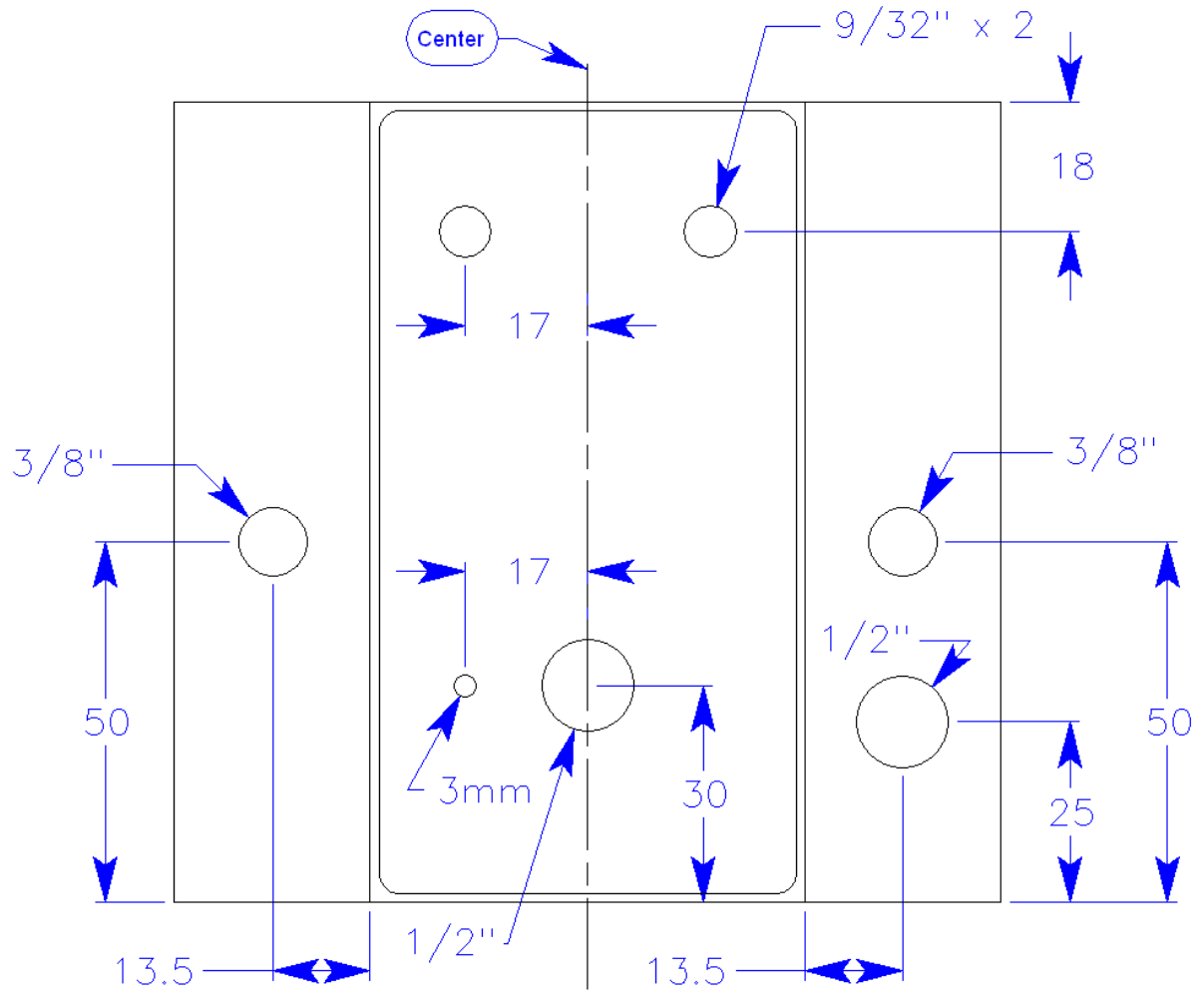
This product is intended for DIY use only. Commercial use, including the sale of PCBs, kits or pedals utilizing this information, is strictly prohibited.

BOM

Resistors		Caps		Diodes	
R1	1M	C1	.022uF	D1	Red LED
R2	1k	C2	.0068uF	D2	1N5818
R3	100k	C3	.047uF	Transistors	
R4	1k	C4	.0022uF	Q1	BS170
R5	1M	C5	1.0uF	Q2	J201
R6	4k7	C6	100uF	Pots	
R7	8k2			VOL	A100k
R8	1M			GAIN	B250k
R9	100R			TRIM	50k

Drill Template

This is the drill template I used to order my box from Pedal Parts Plus. The box I specified was their standard 4 Site 1290 / 1590B, code 1023.



This product is intended for DIY use only. Commercial use, including the sale of PCBs, kits or pedals utilizing this information, is strictly prohibited.