

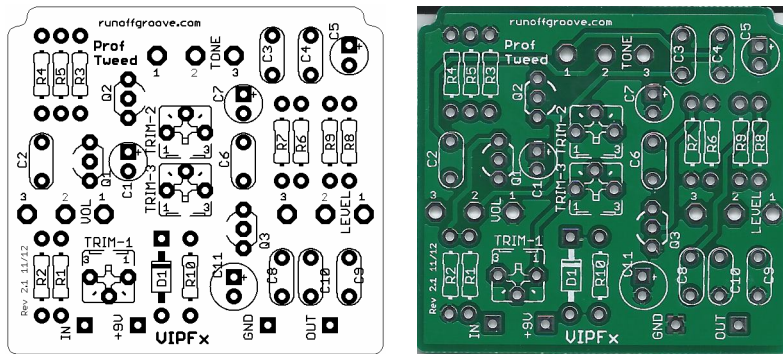
Professor Tweed

Overdrive

This is the Professor Tweed Overdrive pedal based taken directly from Runoffgroove.com.

<http://www.runoffgroove.com/professor.html>

This is a classic project that sounds great and has a lot of support available in the forums and in particular DIYStompboxes.com



Parts Guide

Resistors: 1/4 watt metal film

Film Caps: The board is laid out for Panasonic ECQ-V caps, but any standard 5mm caps will fit.

Electrolytic Caps: 16v or better

pF Caps: Ceramic or other 5mm caps

Pots: Layout is for Alpha PCB mount pots, RV16AF-41-15R1-Value, but any pots will work.

BOM

| Resistors | | Caps | | Diodes | |
|-----------|------|------|------|--------------------|----------|
| R1 | 68k | C1 | 22u | D1 | 1N5817 |
| R2 | 1M | C2 | 22n | Transistors | |
| R3 | 1k5 | C3 | 470p | | |
| R4 | 1k5 | C4 | 4n7 | Q1 | 2N5457* |
| R5 | 22k | C5 | 1u | Q2-Q3 | 2N5457** |
| R6 | 220k | C6 | 22n | Pots | |
| R7 | 470R | C7 | 22u | | |
| R8 | 10k | C8 | 22n | VOL | A1M |
| R9 | 10k | C9 | 2n2 | LEVEL | A100k |
| R10 | 100R | C10 | 2n2 | TONE | A1M |
| | | C11 | 100u | TRIM1-3 | 100k*** |

* Q1: MPF102, 2N5457, J201

** Q2, Q3: MPF102, 2N5457

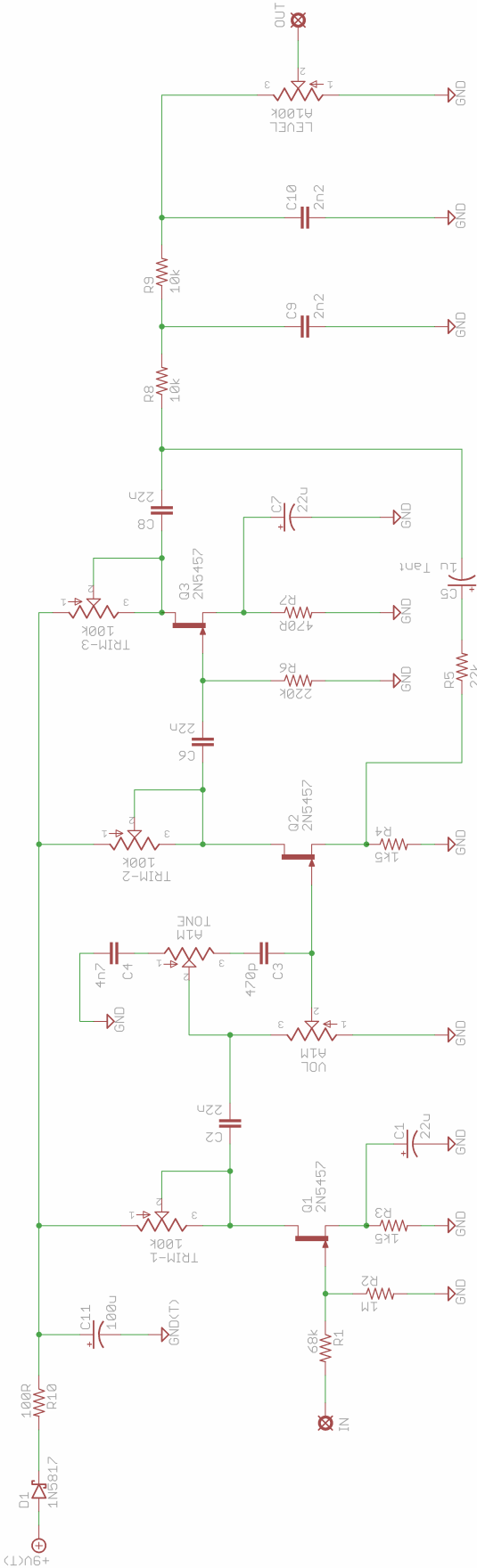
*** Trimmers are 1/4"

This product is intended for DIY use only. Commercial use, including the sale of PCBs, kits or pedals utilizing this information, is strictly prohibited.

Schematic

Professor Tweed

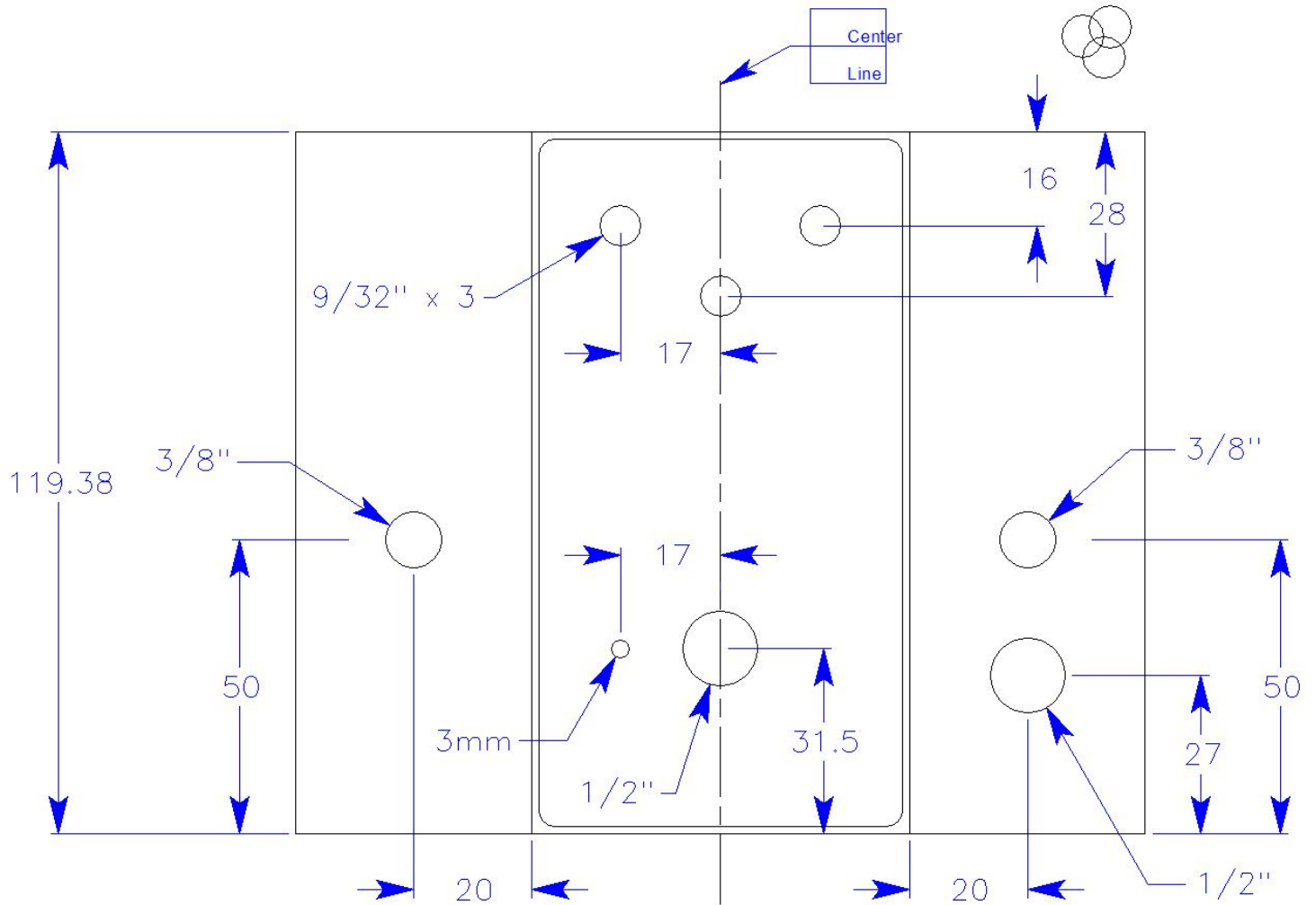
by runoffgroove.com



This product is intended for DIY use only. Commercial use, including the sale of PCBs, kits or pedals utilizing this information, is strictly prohibited.

Drill Template

This is the drill template I used to order my box from Pedal Parts Plus. The box I specified was their standard 125B, code 1400.



This product is intended for DIY use only. Commercial use, including the sale of PCBs, kits or pedals utilizing this information, is strictly prohibited.