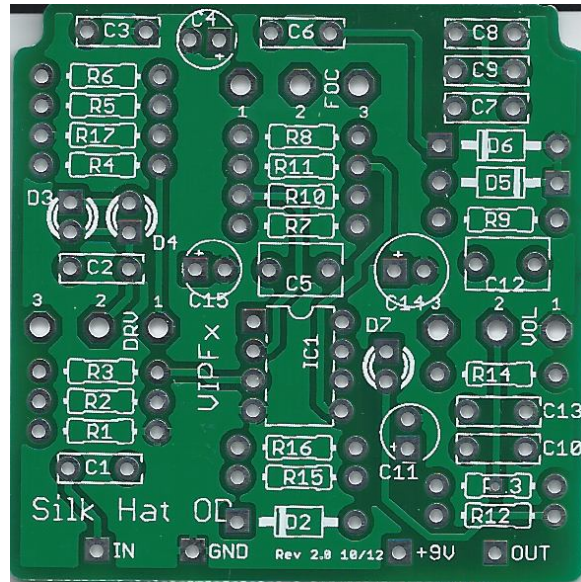
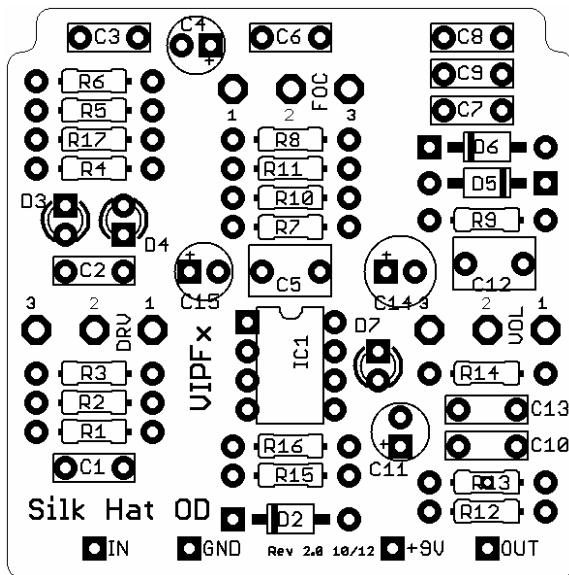


Silk Hat

Overdrive

The Silk Hat is an Overdrive pedal based on the Mad Professor Sweet Honey Overdrive and is based on the reverse engineered schematics posted at Freestompboxes.com. All credit for that work goes entirely to the outstanding DIY community at Freestompboxes.com.



Parts Guide

Resistors: 1/4 watt metal film

Film Caps: The board is laid out for standard box type caps. Any 5mm caps will fit.

Electrolytic Caps: 16v or better

pF Caps: Ceramic or other 5mm caps

Pots: Layout is for Alpha PCB mount pots, RV16AF-41-15R1-Value, but any pots will work.

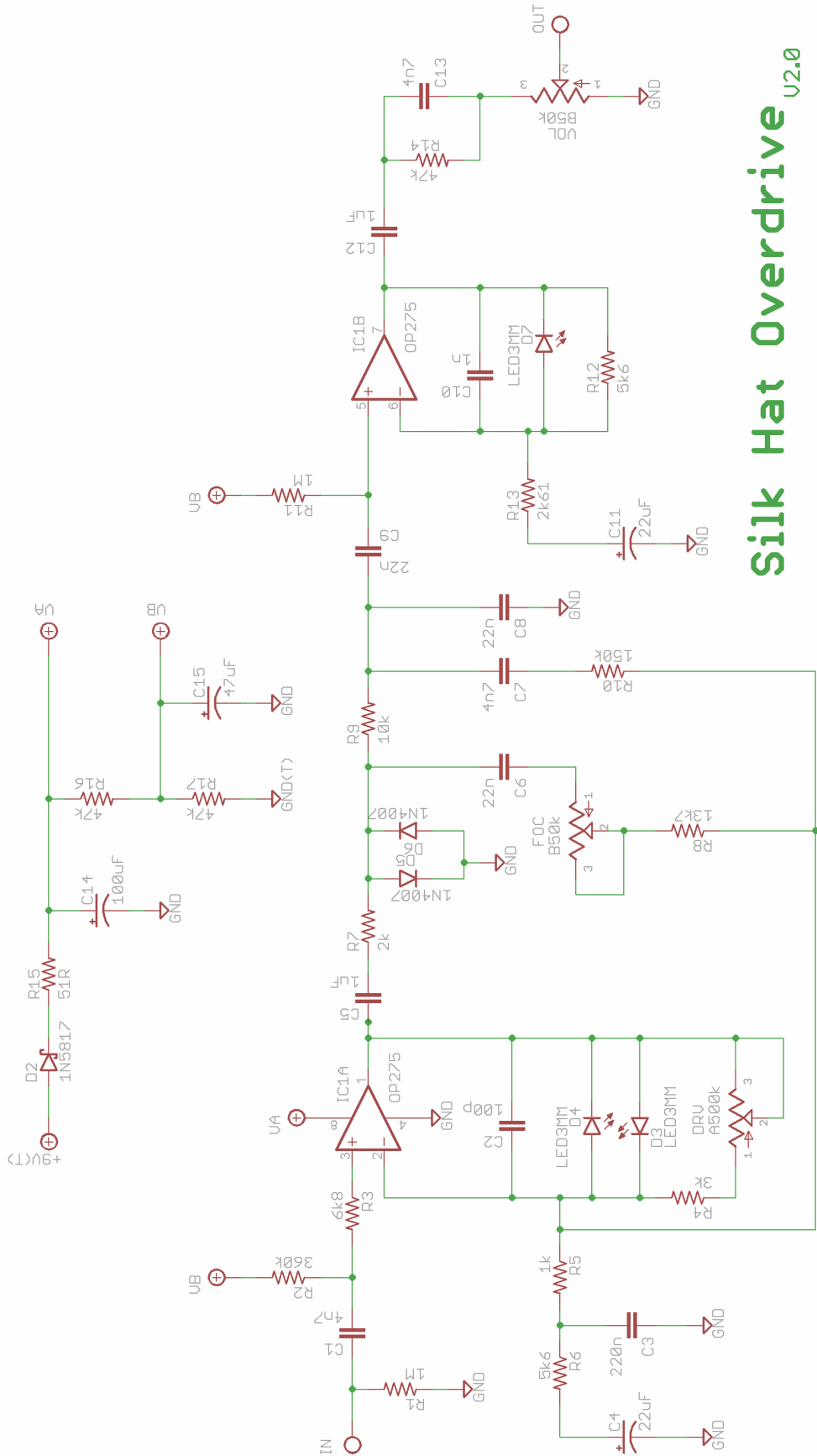
This product is intended for DIY use only. Commercial use, including the sale of PCBs, kits or pedals utilizing this information, is strictly prohibited.

BOM

Resistors		Caps		Diodes	
R1	1M	C1	4n7	D2	1N5817
R2	360k	C2	100p	D3	3MM - Red
R3	6k8	C3	220n	D4	3MM - Red
R4	3k	C4	22uF	D5	1N4007
R5	1k	C5	1uF	D6	1N4007
R6	5k6	C6	22n	D7	3MM - Red
R7	2k	C7	4n7		
R8	13k7	C8	22n	IC's	
R9	10k	C9	22n	IC1	OP275
R10	150k	C10	1n	Pots	
R11	1M	C11	22uF	VOL	B50k
R12	5k6	C12	1uF	DRV	A500k
R13	2k61	C13	4n7	FOC	B50k
R14	47k	C14	100uF		
R15	51R	C15	47uF		
R16	47k				
R17	47k				

This product is intended for DIY use only. Commercial use, including the sale of PCBs, kits or pedals utilizing this information, is strictly prohibited.

Schematic

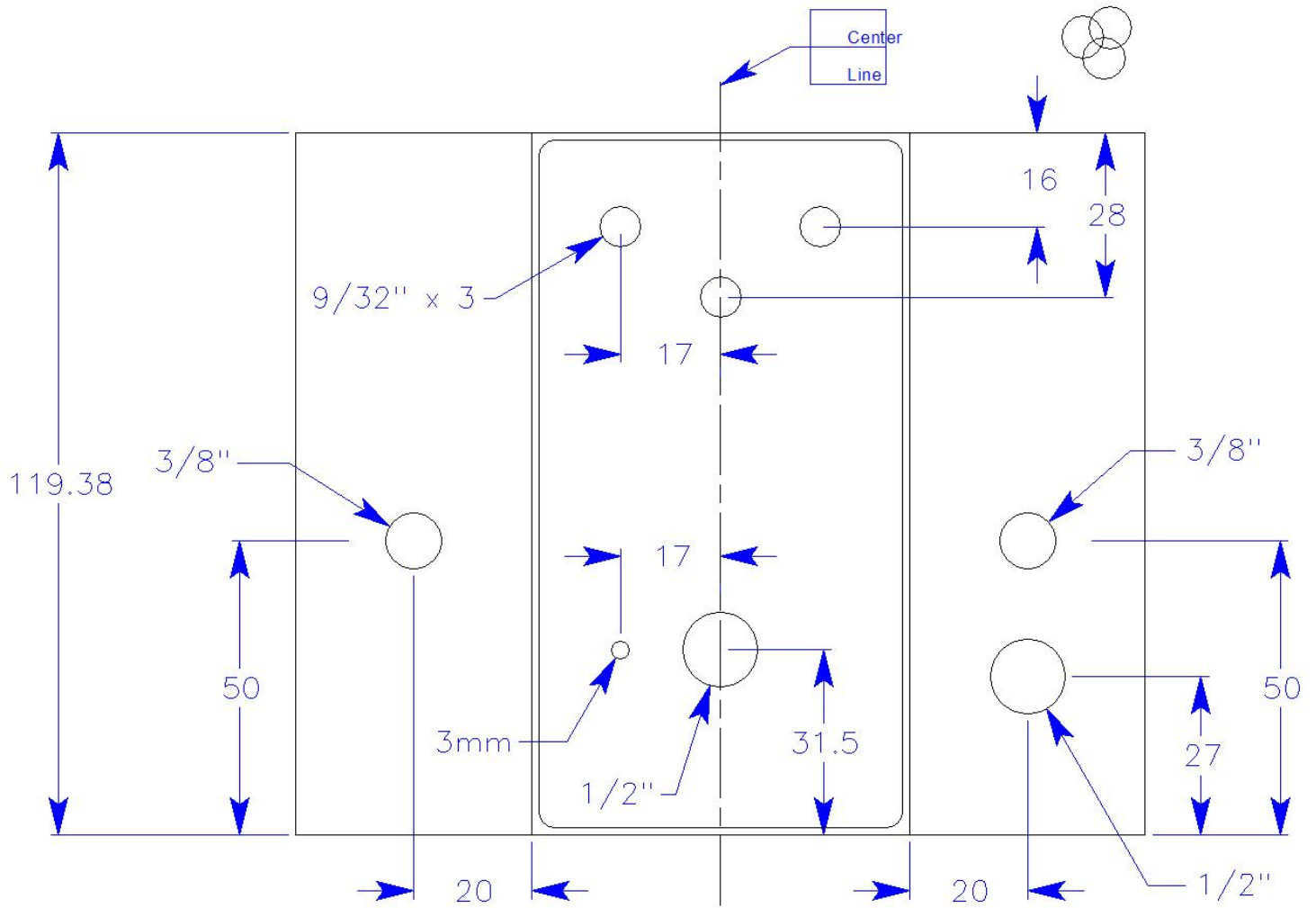


Silk Hat Overdrive V2.0

This product is intended for DIY use only. Commercial use, including the sale of PCBs, kits or pedals utilizing this information, is strictly prohibited.

Drill Template

This is the drill template I used to order my box from Pedal Parts Plus. The box I specified was their standard 125B, code 1400.



This product is intended for DIY use only. Commercial use, including the sale of PCBs, kits or pedals utilizing this information, is strictly prohibited.