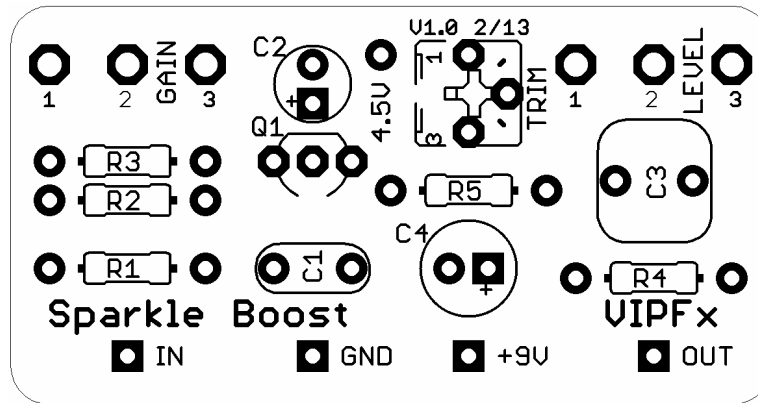


# SPARKLE BOOST

## BOOST

This is the Sparkle Boost designed by Andrew Carrell. This is a classic project that sounds great and has a lot of support available at [DIYStompboxes.com](http://DIYStompboxes.com)



### Parts Guide

Resistors: 1/4 watt metal film

Film Caps: The board is laid out for Panasonic ECQ-V caps, but any standard 5mm caps will fit.

Electrolytic Caps: 16v or better

pF Caps: Ceramic or other 5mm caps

Pots: Layout is for Alpha PCB mount pots, RV16AF-41-15R1-Value, but any pots will work.

# Sparkle Boost

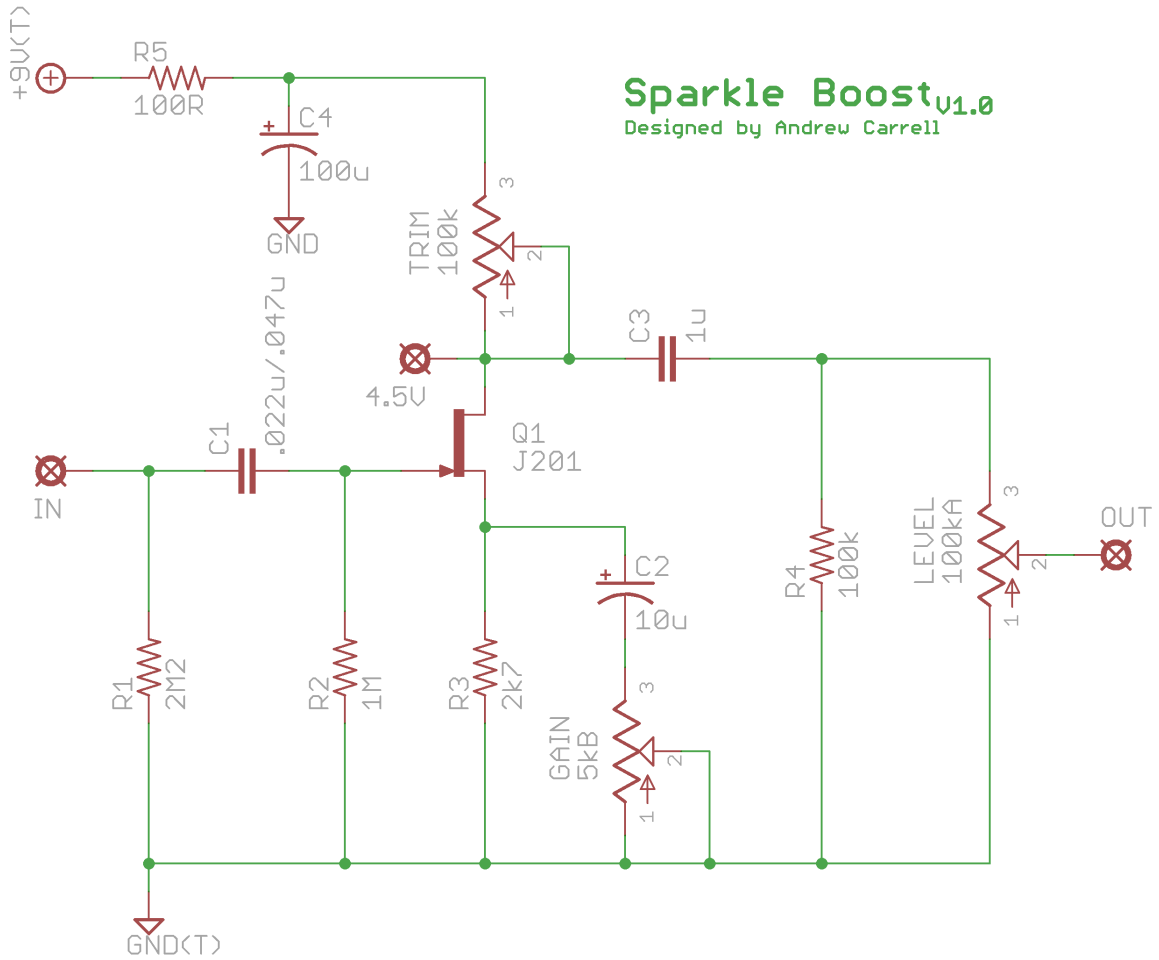
## BOM

Resistors		Caps		Transistor	
R1	2M2	C1	.022u/.047u	Q1	J201
R2	1M	C2	10u		
R3	2k7	C3	1u		
R4	100k	C4	100u		
R5	100R				

Pots	
GAIN	5kB
LEVEL	100kA
TRIM	100k

## Schematic



This product is intended for DIY use only. Commercial use, including the sale of PCBs, kits or pedals utilizing this information, is strictly prohibited.

### Drill Template

This is the drill template I used to order my box from Pedal Parts Plus. The box I specified was their standard 4 Site 1290 / 1590B, code 1023.

